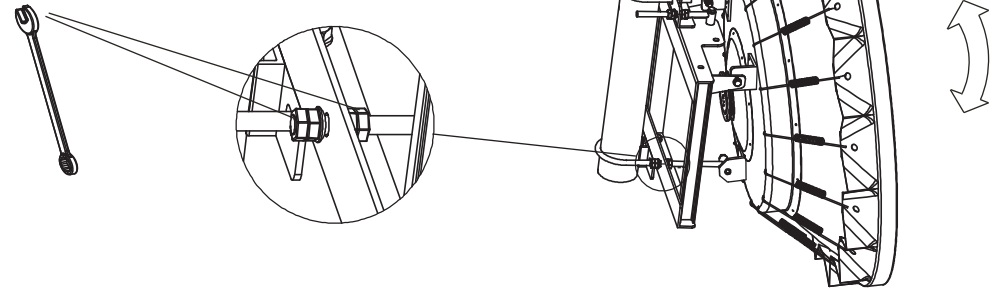


### Adjustment of elevation

Rotate the antenna by adjusting the nuts

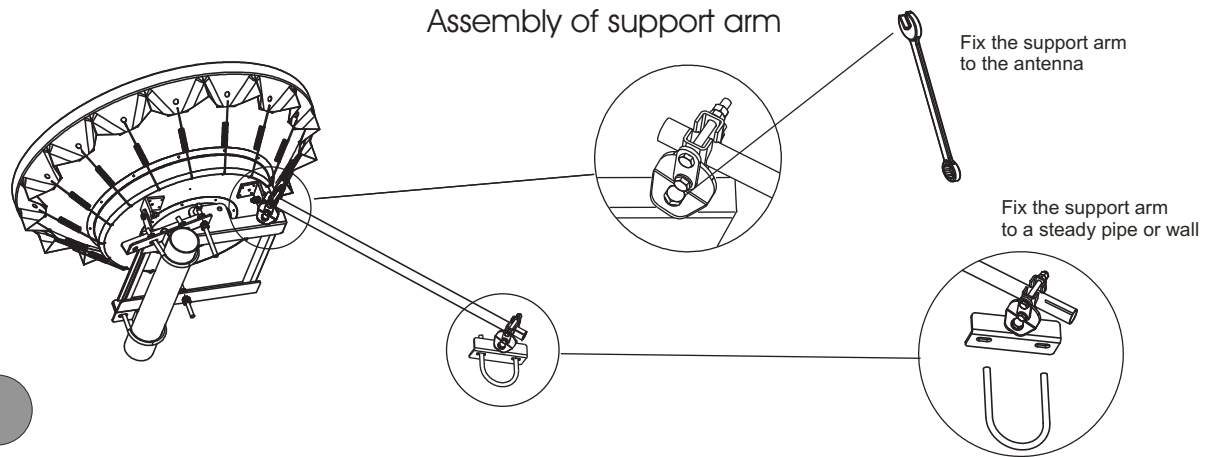


H

### Assembly of support arm

Fix the support arm to the antenna

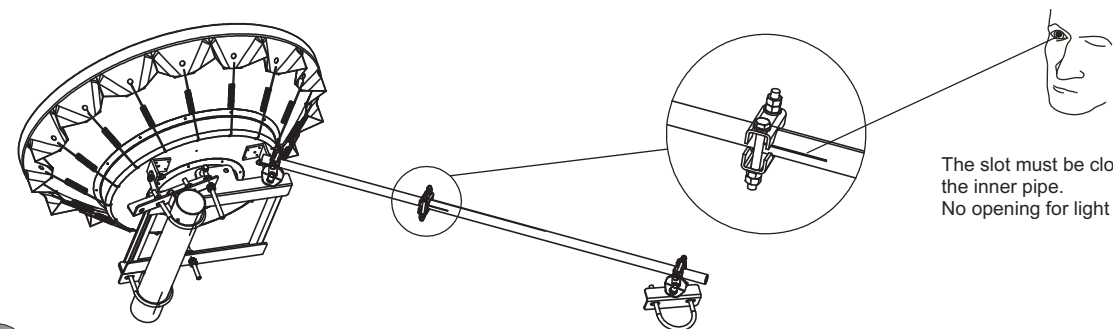
Fix the support arm to a steady pipe or wall



I

### Assembly of support arm for armlength > 1 m

The slot must be closed by the inner pipe.  
No opening for light is allowed.



J

**Tighten all screws after adjustments**

Remove waveguide interface protection tape when antenna is connected to radio



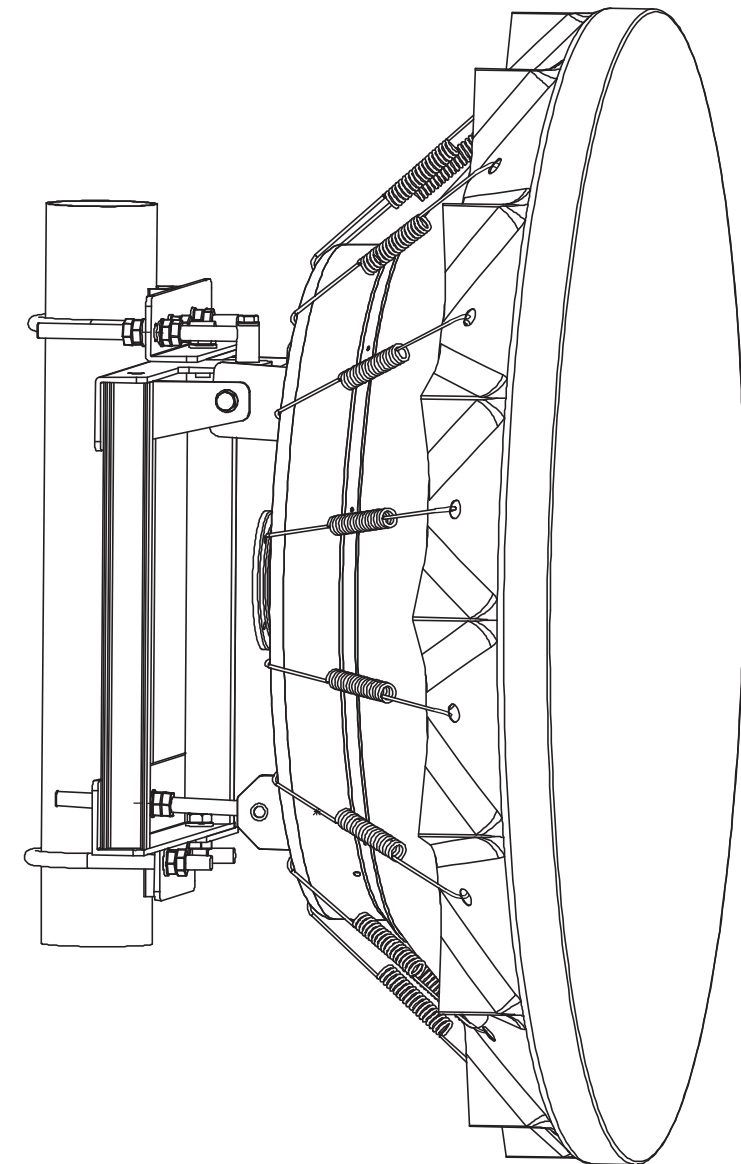
Comhat AB  
Flöjelbergsgatan 18  
SE-431 37 Mölndal, Sweden

TELEPHONE NUMBER  
+46 31 733 18 00  
FAX NUMBER  
+46 31 703 48 10

INTERNET  
mail@comhat.se  
www.comhat.se

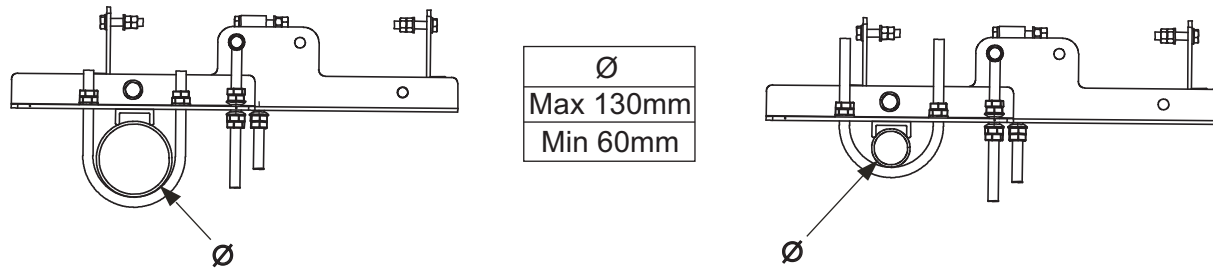


## Instruction for antenna installation Size 1,2m



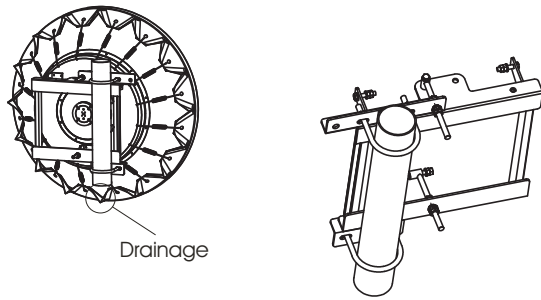
# Necessary keys: 18 and 24mm

The mast mount and different poles



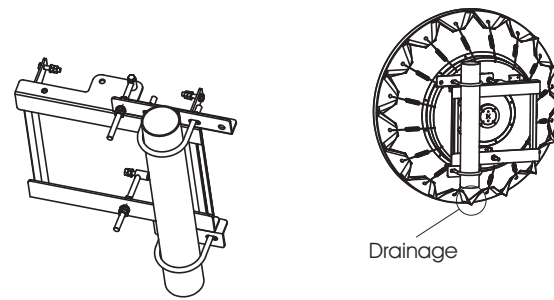
A

Standard for left side mounting



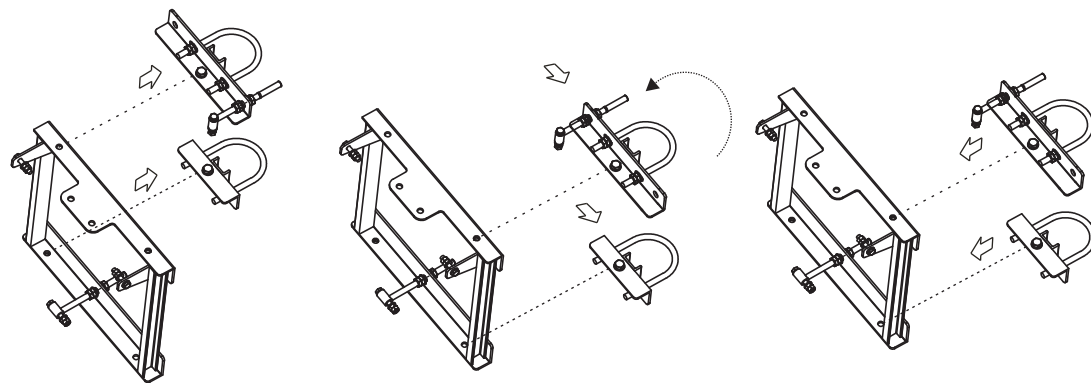
B

Reassembly for right side mounting



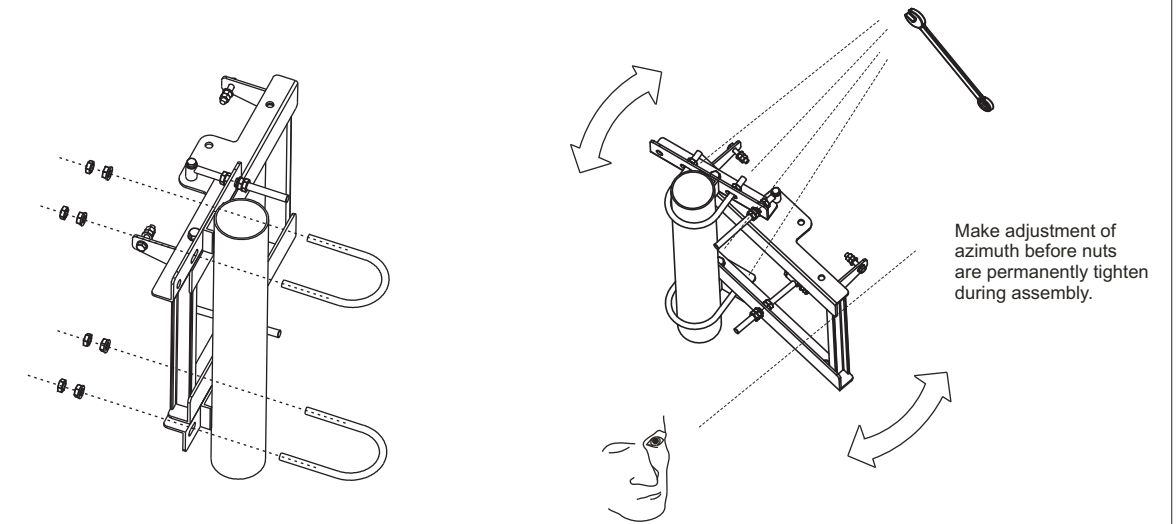
C

Reassembly of mast mount from B to C



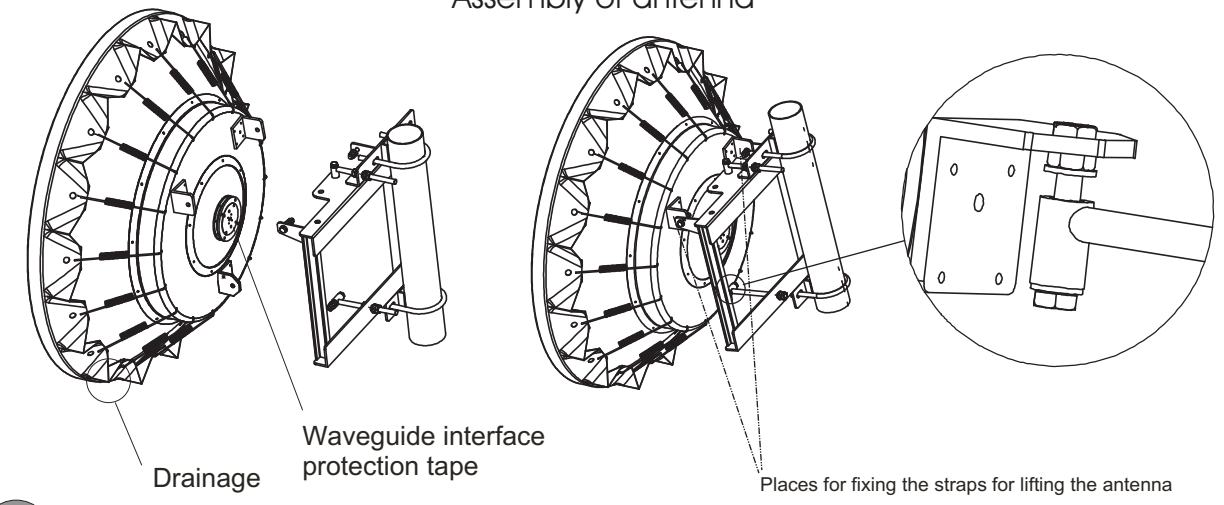
D

Assembly to mast and preliminary adjustment of azimuth



E

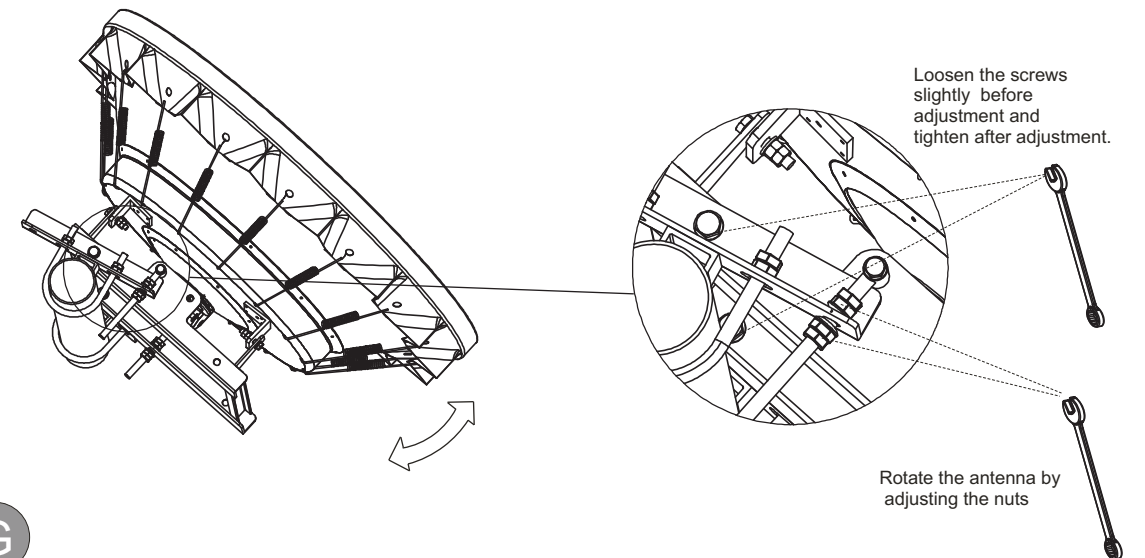
Assembly of antenna



F

The antenna must never support on the edge in an up-right position. That can deform the antenna.

Final adjustment of azimuth



G