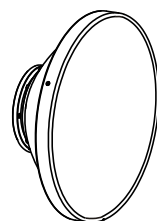
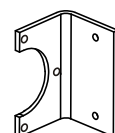


Included parts:

Antenna 1pc



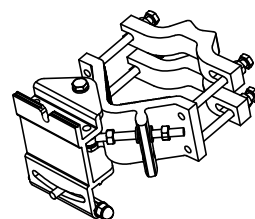
Bracket 1pc



Screw and washer for bracket 3pc
DIN933 M6S M8x20H A4-70 / DIN125 8,4 A4



Mast Mount 1pc



Screw and washer for mast mount 1 pc
DIN933 M6S M10x25H A4-80 / DIN125 10,5 A4

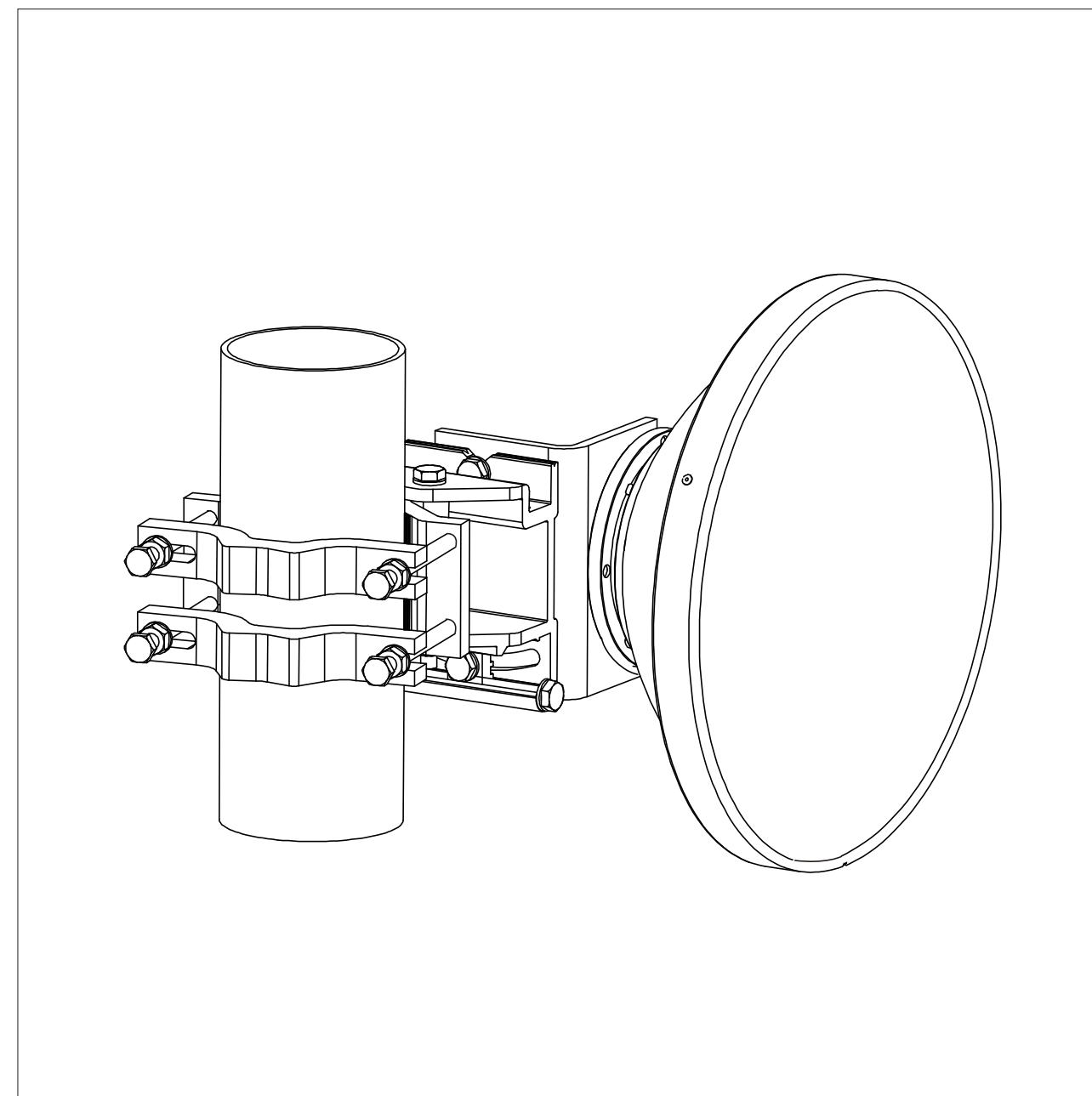


Necessary key: 17mm



Instruction for antenna installation

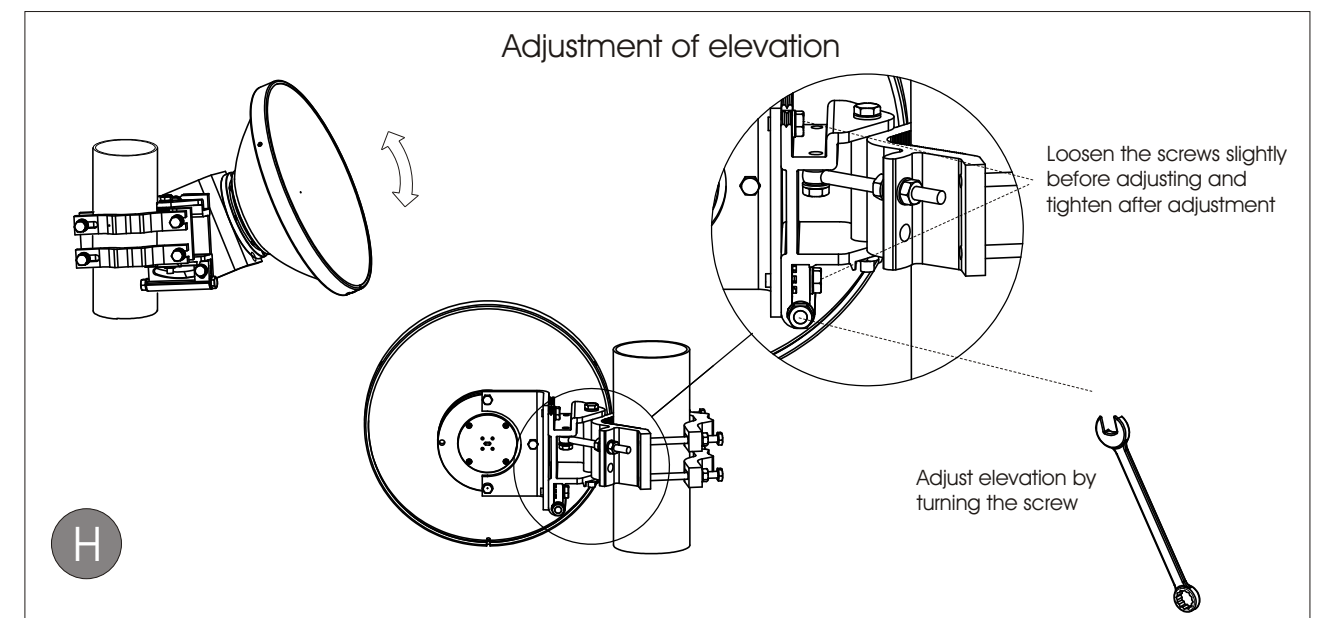
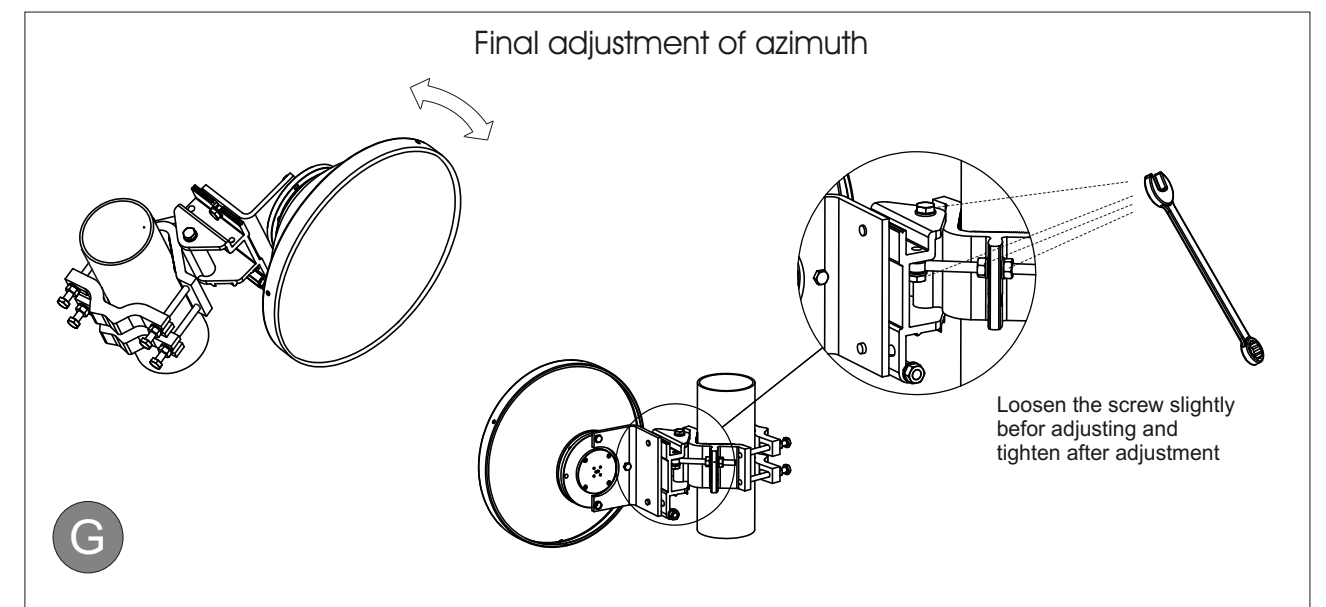
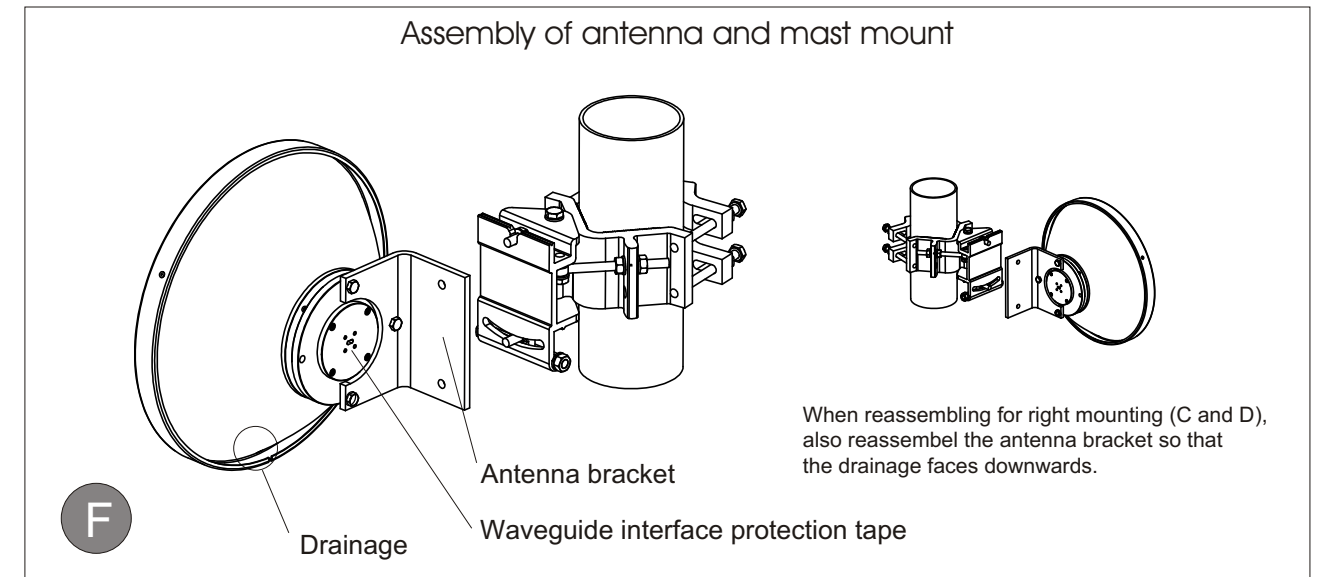
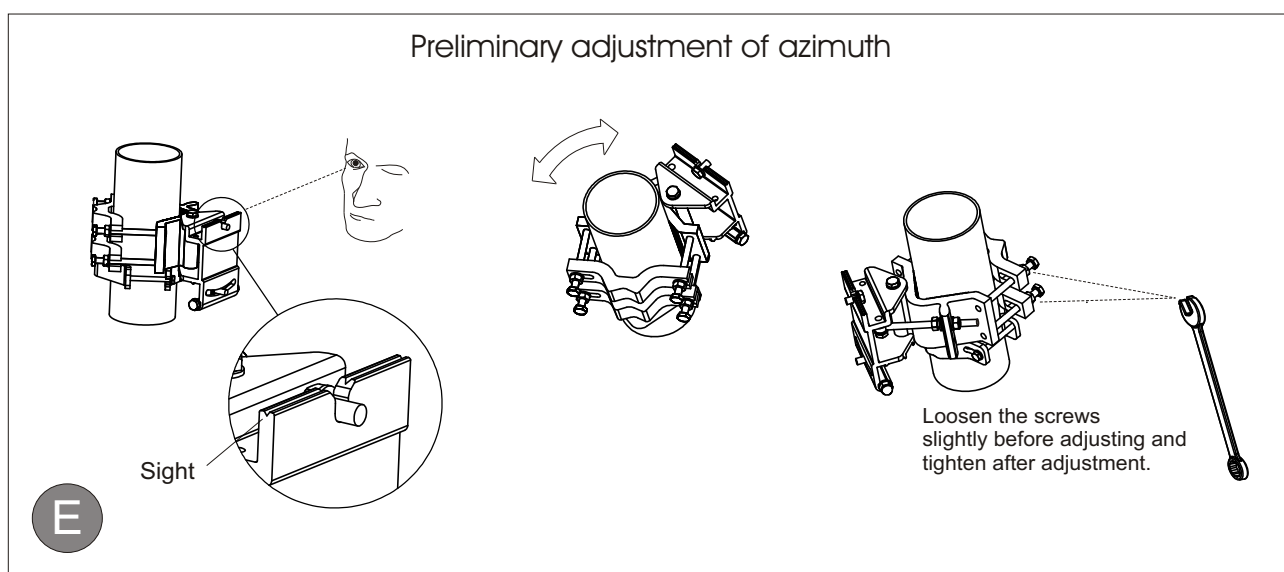
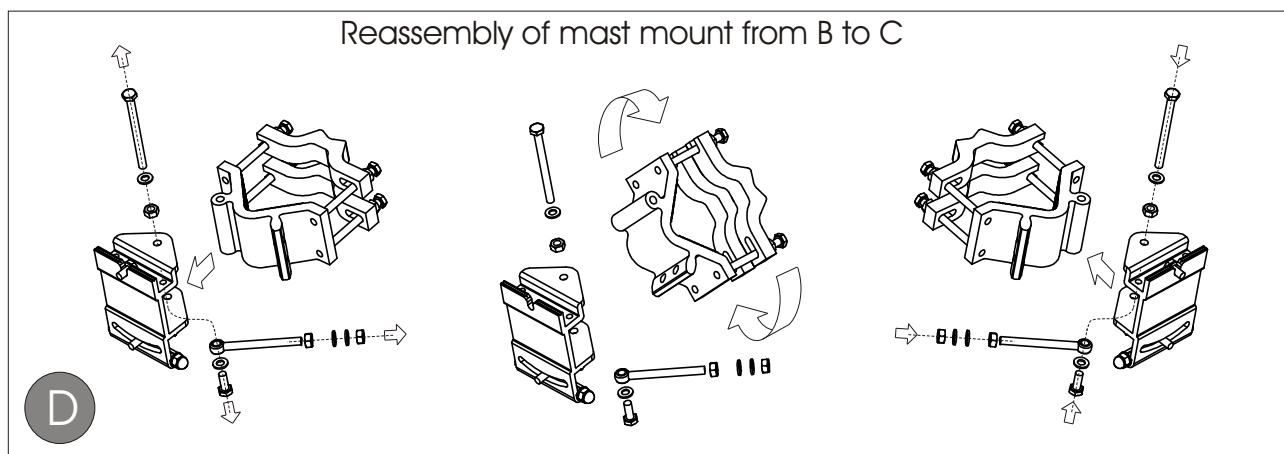
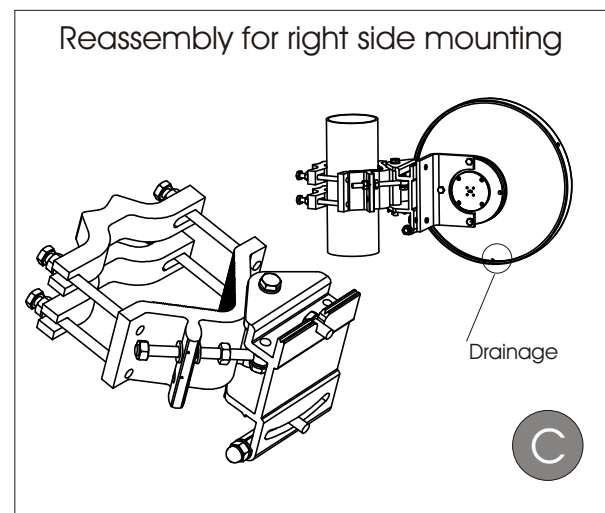
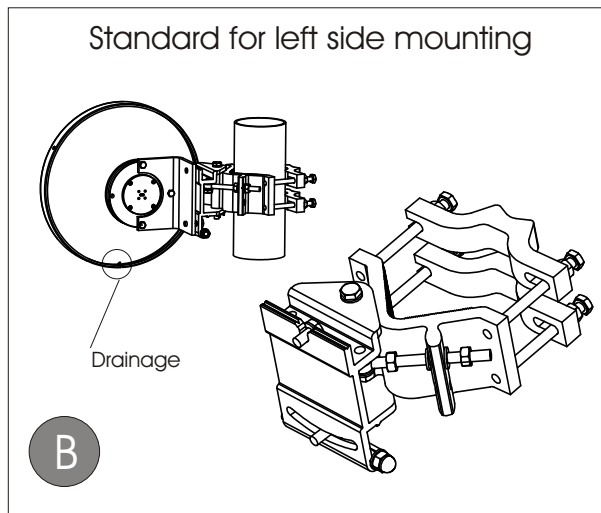
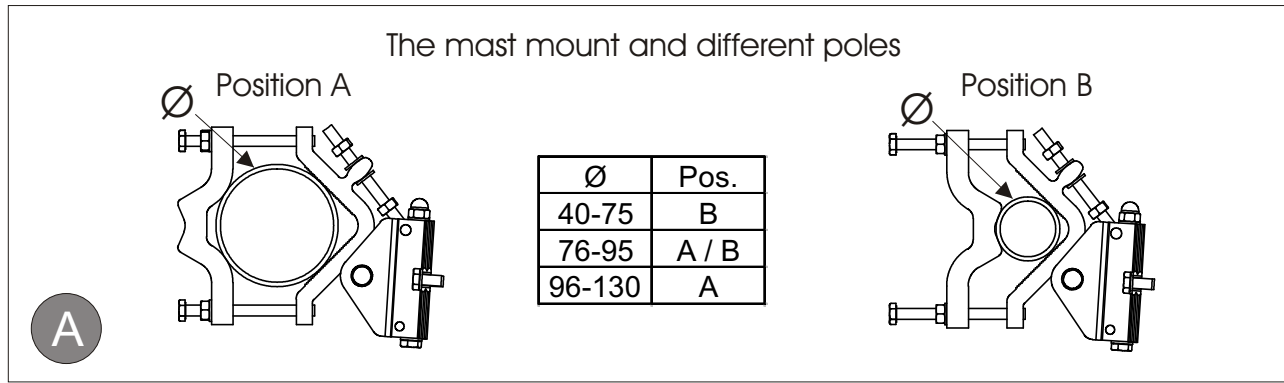
Size 0,3m and 0,6m



Comhat AB
Flöjelbergsgatan 18
SE-431 37 Mölndal, Sweden

TELEPHONE NUMBER
+46 31 733 18 00
FAX NUMBER
+46 31 703 48 10

INTERNET
mail@comhat.se
www.comhat.se



Tighten all screws after adjustments

Remove waveguide interface protection tape when antenna is connected to radio